



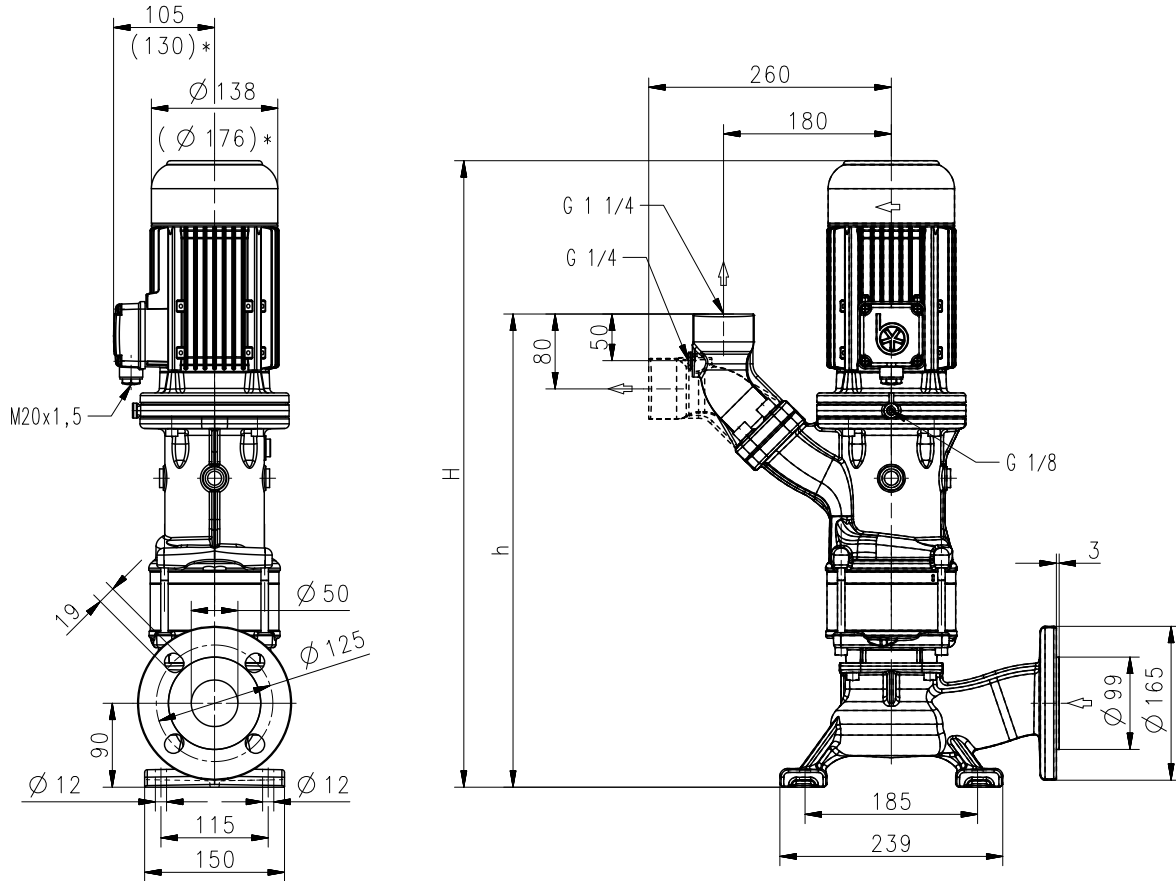
VERTICAL END-SUCTION PUMPS

Vertical End Suction Pumps

SBA141...143-V

Axial/semi-open impellers

SBA141...143-V



*) Dimensions for SBA143-V

Type	Vol. del. at manom. del. head l/min /m	Dimensions		Weight kg	Power kW	Voltage 3 ~ V	Fre- quen- cy Hz	Current A	Speed 1/min
		H mm	h mm						
SBA141-V	100/7	553	457	29	0.54	220-240	50	2.42	2800
						380-420	50	1.40	2800
						460	60	1.40	3300
SBA142-V	100/13	672	508	35.5	1.1	220-240	50	4.33	2850
						380-415	50	2.50	2850
						460	60	2.4	3440
SBA143-V	100/21	751	542	46	1.7	220-240	50	6.24	2890
						380-415	50	3.60	2890
						460	60	3.5	3480

Vertical End Suction Pumps

are centrifugal inline pumps with a compact design where the impeller is mounted onto the extended motor shaft. These pumps are not self-priming and must be gravity fed. All pumps are equipped with double mechanical seal. This pump series is designed for vertical installations next to a tank and for pumping **air entrained coolant** fluids, such as **water-soluble coolants or cutting oils**, as they occur in **high speed turning, milling or grinding applications**.

The SBA pumps are equipped with the user-friendly 45 degree **flange** connection which allows for either vertical or horizontal pipe connection and the connection of a pressure gauge with G 1/4.

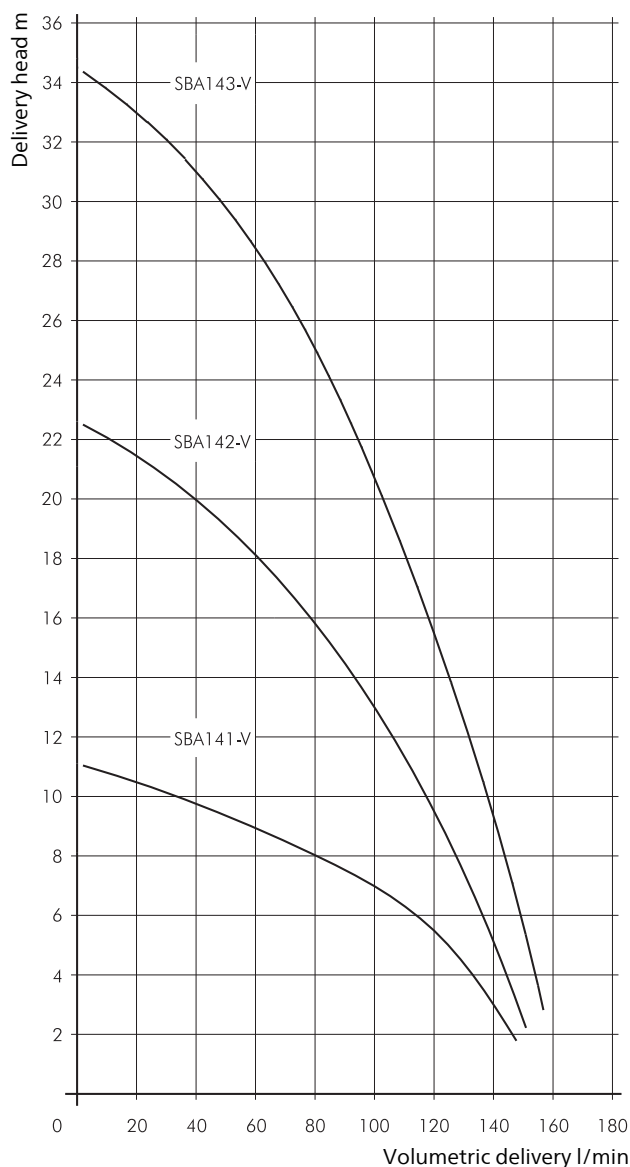
For more information see mechanical features within the technical information section.

Applications

Types of fluid
coolants
cooling/cutting oils
Kinematic viscosity
...45 mm²/s (45 cSt)
Pumping temperature
0...80° C

Construction

Pump body	cast iron
Cover	cast iron
Impeller axial	cast steel
Impeller radial	cast steel
Shaft	steel
Mechanical seal	SiC
Noise level	
SBA141-V...SBA142-V	64 dBA
SBA143-V	68 dBA

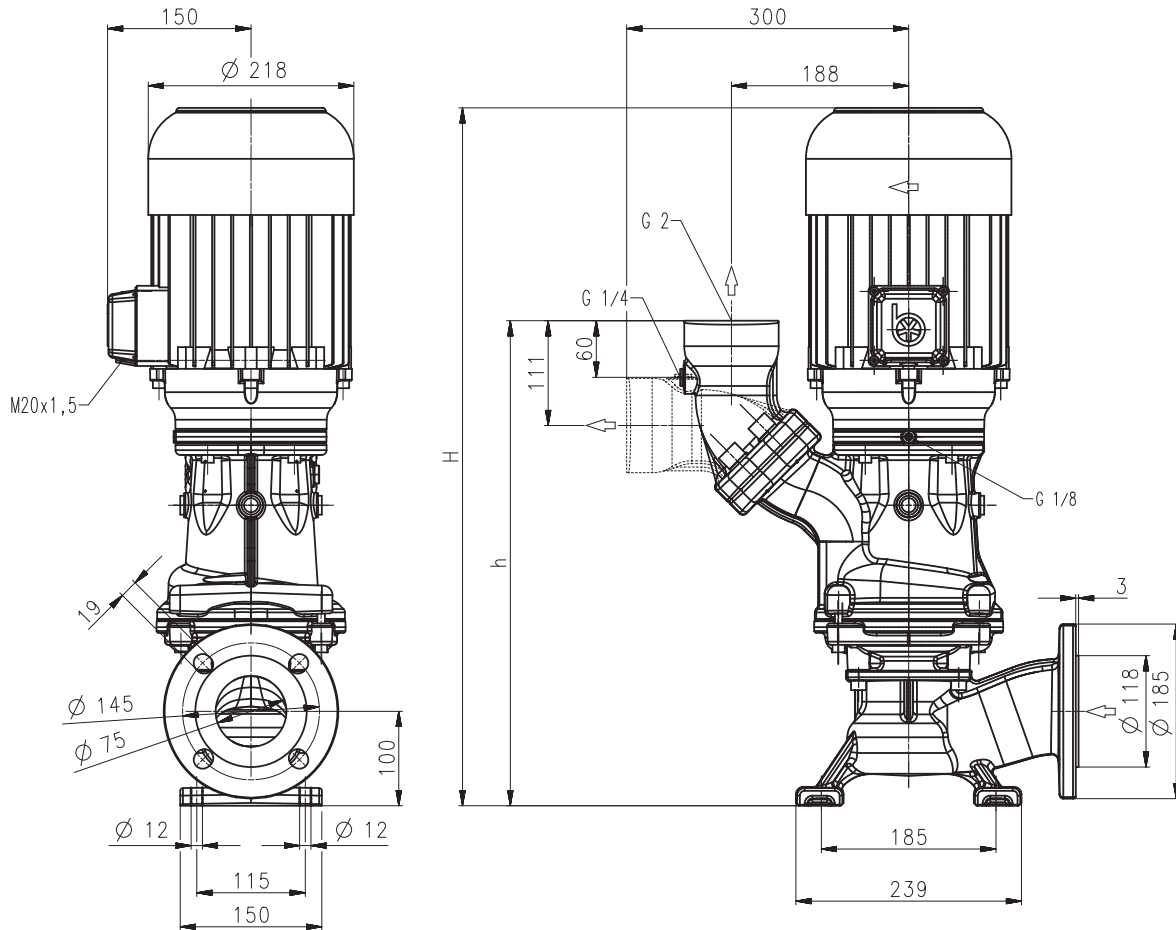


Vertical End Suction Pumps

SBA901...1301-V

Axial/semi-open impellers

SBA901...1301-V



Type	Vol. del. at manom. del. head l/min / m	Dimensions		Weight kg	Power kW	Voltage 3 ~ V	Fre- quen- cy Hz	Current A	Speed 1/min
		H mm	h mm						
SBA901-V	600/11	776	514	70	3.3	220-240 380-415	50 50	11.6 6.7	2930 2930
					3.8	460	60	6.4	3520
SBA1301-V	900/11	806	515	77	5.0	220-240 380-415	50 50	17.3 10.0	2920 2920
					5.75	460	60	9.5	3520

Vertical End Suction Pumps

are centrifugal inline pumps with a compact design where the impeller is mounted onto the extended motor shaft. These pumps are not self-priming and must be gravity fed. All pumps are equipped with double mechanical seal. This pump series is designed for vertical installations next to a tank and for pumping **air entrained coolant** fluids, such as **water-soluble coolants or cutting oils**, as they occur in **high speed turning, milling or grinding applications**.

The SBA pumps are equipped with the user-friendly 45 degree **flange** connection which allows for either vertical or horizontal pipe connection and the connection of a pressure gauge with G 1/4.

For more information see mechanical features within the technical information section.

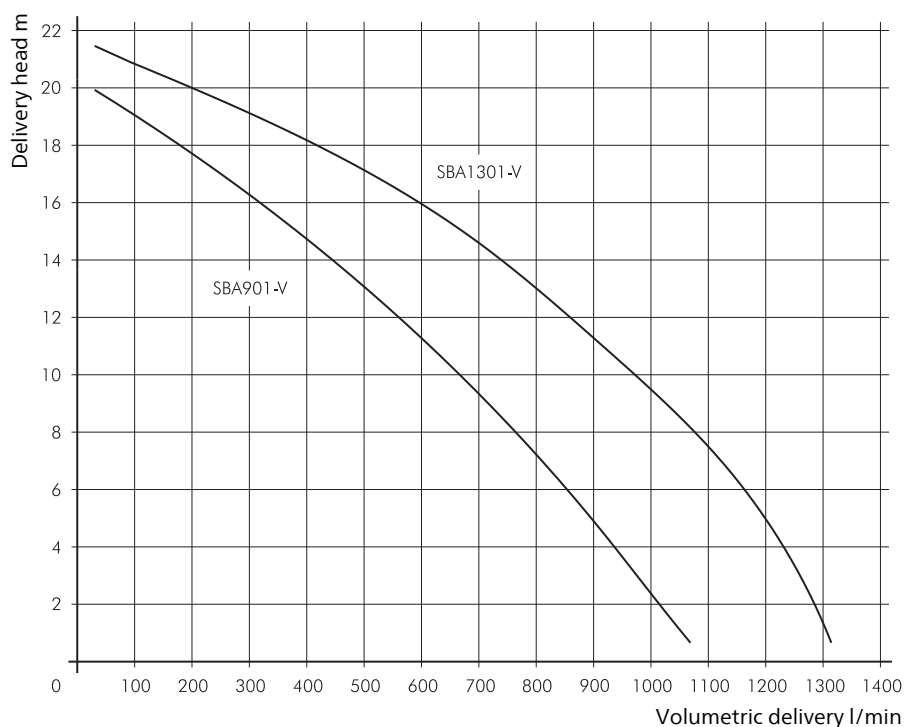
Applications

Types of fluid
coolants
cooling/cutting oils
Kinematic viscosity
...45 mm²/s (45 cSt)
Pumping temperature
0...80° C

Construction

Pump body	cast iron
Cover	cast iron
Impeller axial	cast steel
Impeller radial	cast steel
Shaft	steel
Mechanical seal	SiC

Noise level	
SBA901-V...SBA1301-V	72 dBA

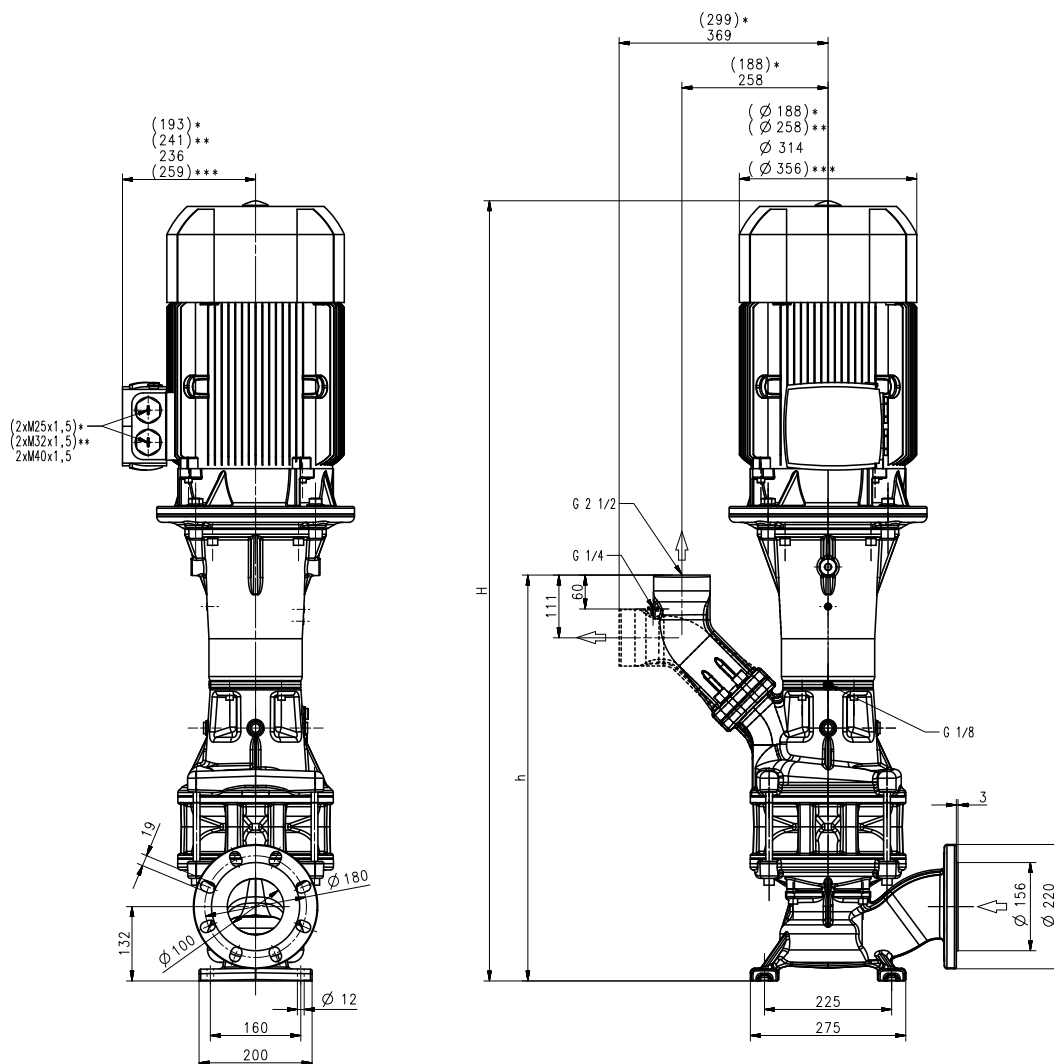


Vertical End Suction Pumps

SBA1600...2002-V

Axial/semi-open impellers

SBA1600...2002-V



- *) Dimensions for SBA1600-V
- **) Dimensions for SBA2000-V
- ***) Dimensions for SBA2002-V

Type	Vol. del. at manom. del. head l/min / m	Dimensions		Weight kg	Power kW	Voltage 3 ~ V	Fre- quen- cy Hz	Current A	Speed 1/min
		H mm	h mm						
SBA1600-V	1400/15	907	538	132	9.0	380-415	50	16.7	2955
					10.3	460	60	15.8	3550
SBA2000-V	1600/15	916	609	159	11.0	380-415	50	20.1	2960
					12.6	460	60	19.5	3560
SBA1602-V	1400/37	1381	719	228	18.5	400	50	32	2955
					21.3	460	60	32	3555
SBA2002-V	1600/47	1435	719	251	22.0	400	50	37.5	2950
					25.3	460	60	37.5	3550

Vertical End Suction Pumps

are centrifugal inline pumps with a compact design where the impeller is mounted onto the extended motor shaft. These pumps are not self-priming and must be gravity fed. All pumps are equipped with double mechanical seal. This pump series is designed for vertical installations next to a tank and for pumping **air entrained coolant** fluids, such as **water-soluble coolants or cutting oils**, as they occur in **high speed turning, milling or grinding applications**.

The SBA pumps are equipped with the user-friendly 45 degree **flange** connection which allows for either vertical or horizontal pipe connection and the connection of a pressure gauge with G 1/4.

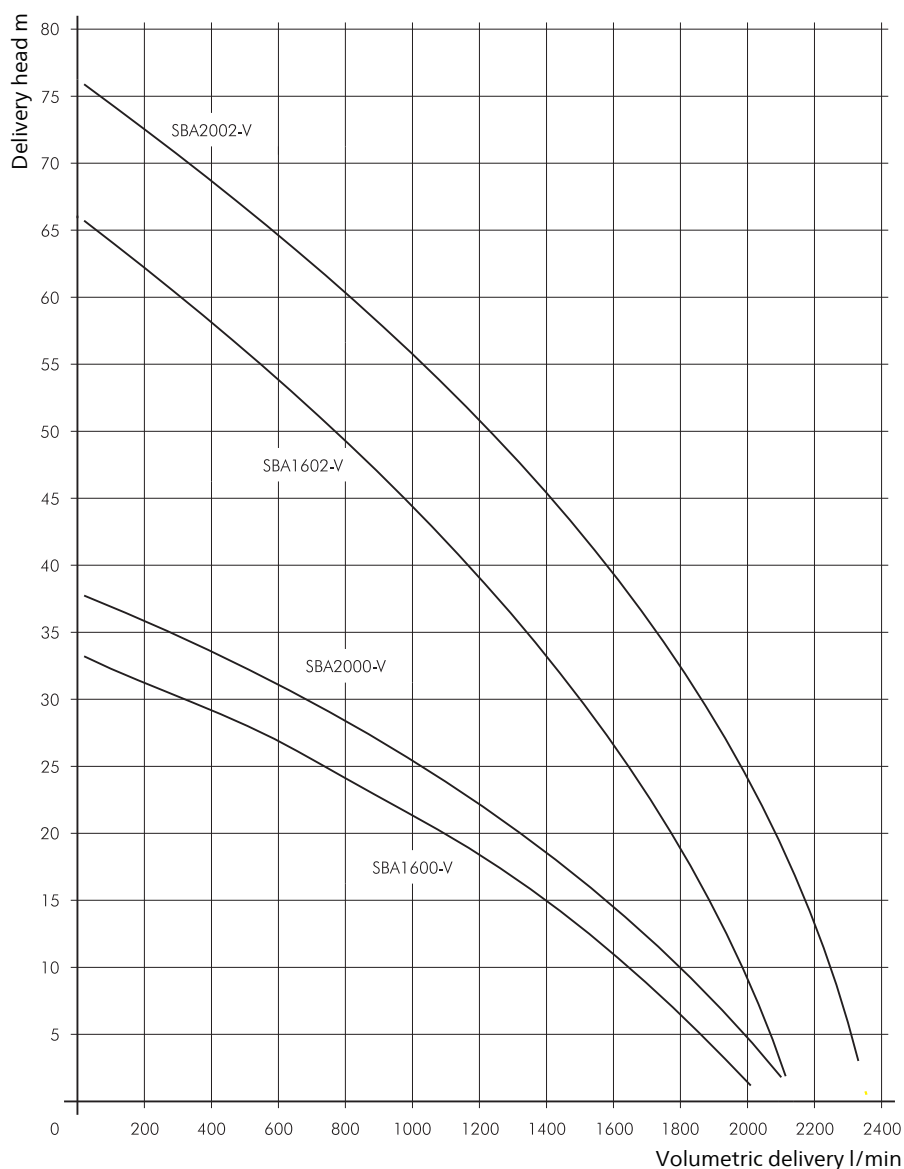
For more information see mechanical features within the technical information section.

Applications

Types of fluid
coolants
cooling/cutting oils
Kinematic viscosity
...45 mm²/s (45 cSt)
Pumping temperature
0...80° C

Construction

Pump body	cast iron
Cover	cast iron
Impeller axial	cast steel
Impeller radial	cast steel
Shaft	steel
Mechanical seal	SiC
Noise level	
SBA1600-V...SBA2000-V	74 dBA
SBA1602-V...SBA2002-V	78 dBA

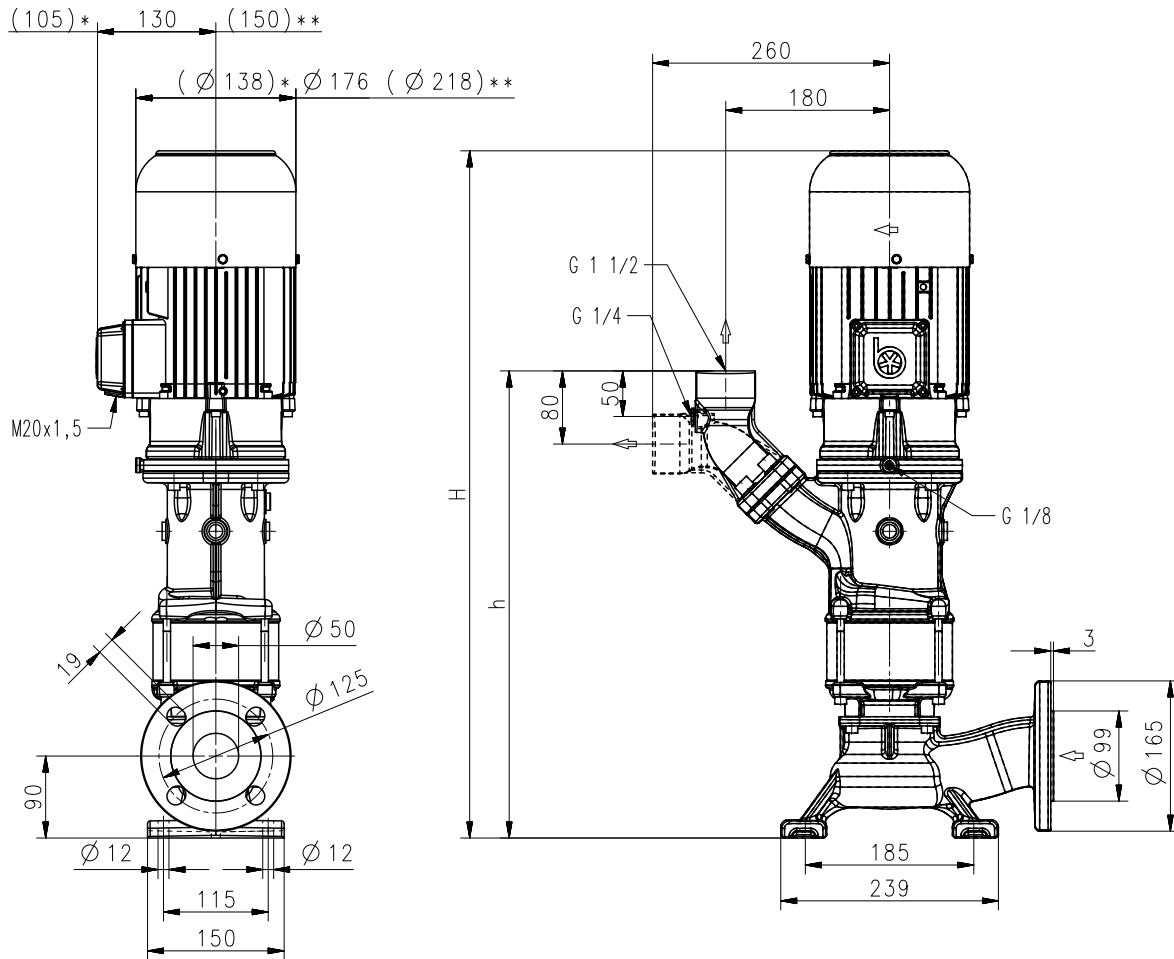


Vertical End Suction Pumps

SBG501...503-V

Axial/semi-open impellers

SBG501...503-V



*) Dimensions for SBG501-V

**) Dimensions for SBG503-V

Type	Vol. del. at manom. del. head l/min /m	Dimensions		Weight kg	Power kW	Voltage 3 ~ V	Fre- quen- cy Hz	Current A	Speed 1/min
		H mm	h mm						
SBG501-V	250/5.5	614	449	32	1.1	220-240	50	4.33	2850
						380-415	50	2.50	2850
					1.27	460	60	2.4	3440
SBG502-V	250/13	755	513	46	2.2	220-240	50	7.8	2890
						380-415	50	4.5	2890
					2.55	460	60	4.4	3480
SBG503-V	250/21	858	577	62	3.3	220-240	50	11.6	2930
						380-415	50	6.7	2930
					3.8	460	60	6.4	3520

Vertical End Suction Pumps

are centrifugal inline pumps with a compact design where the impeller is mounted onto the extended motor shaft. These pumps are not self-priming and must be gravity fed. All pumps are equipped with double mechanical seal. This pump series is designed for vertical installations next to a tank and for pumping **highly air entrained coolant and cutting oils**, as they occur in **high speed grinding applications**.

The SBG pumps are equipped with the user-friendly 45 degree **flange** connection which allows for either vertical or horizontal pipe connection and the connection of a pressure gauge with G 1/4.

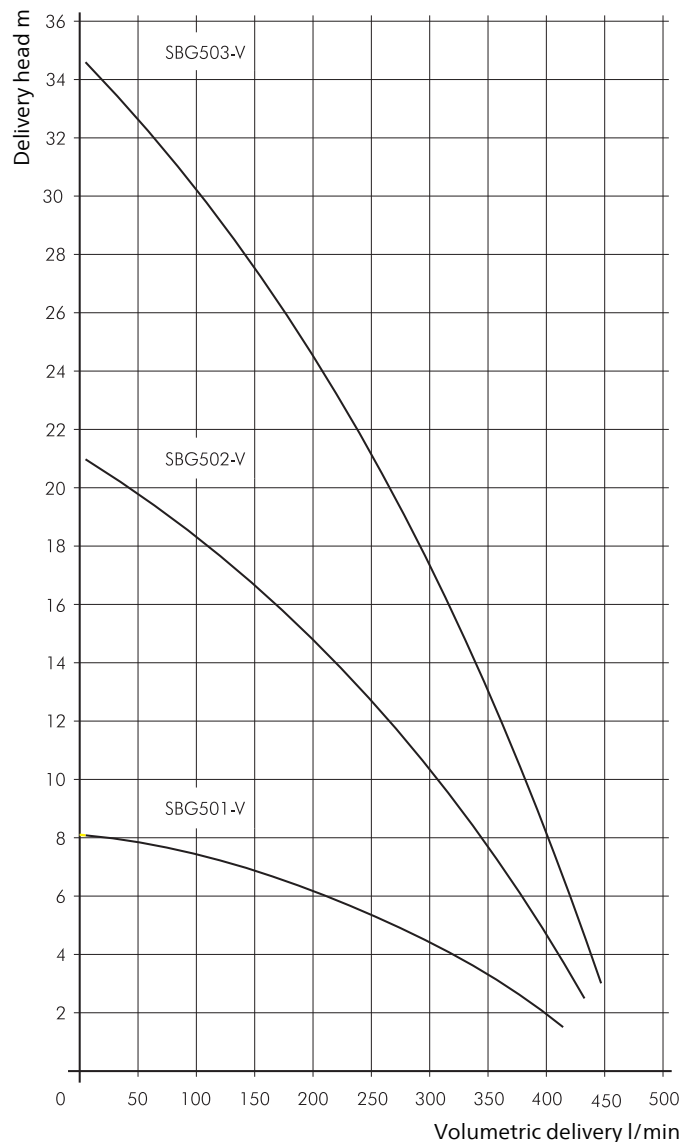
For more information see mechanical features within the technical information section.

Applications

Types of fluid
 coolants
 cooling/cutting oils
 grinding oils
 Kinematic viscosity
 ...45 mm²/s (45 cSt)
 Pumping temperature
 0...80° C

Construction

Pump body	cast iron
Cover	cast iron
Impeller axial	cast steel
Impeller radial	cast steel
Shaft	steel
Mechanical seal	SiC
Noise level	
SBG501-V	67 dBA
SBG502-V	70 dBA
SBG503-V	72 dBA

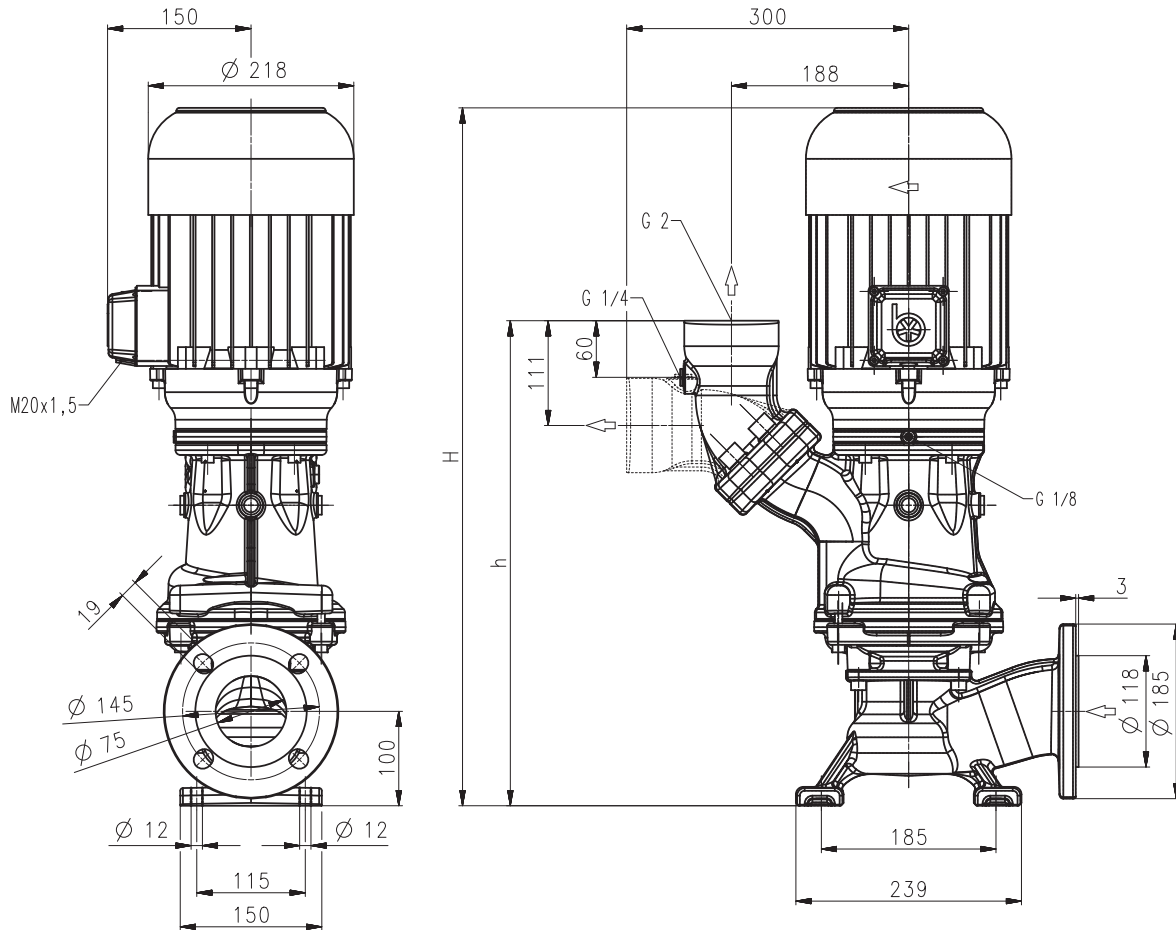


Vertical End Suction Pumps

SBG801...1101-V

Axial/semi-open impellers

SBG801...1101-V



Type	Vol. del. at manom. del. head l/min /m	Dimensions		Weight kg	Power kW	Voltage 3 ~ V	Fre- quen- cy Hz	Current A	Speed 1/min
		H mm	h mm						
SBG801-V	600/12	769	507	70	3.3	220-240 380-415	50 50	11.6 6.7	2930 2930
					3.8	460	60	6.4	3520
SBG1101-V	800/11.5	792	514	77	5.0	220-240 380-415	50 50	17.3 10.0	2920 2920
					5.75	460	60	9.5	3520

Vertical End Suction Pumps

are centrifugal inline pumps with a compact design where the impeller is mounted onto the extended motor shaft. These pumps are not self-priming and must be gravity fed. All pumps are equipped with double mechanical seal. This pump series is designed for vertical installations next to a tank and for pumping **highly air entrained coolant and cutting oils**, as they occur in **high speed grinding applications**.

The SBG pumps are equipped with the user-friendly 45 degree **flange** connection which allows for either vertical or horizontal pipe connection and the connection of a pressure gauge with G 1/4.

For more information see mechanical features within the technical information section.

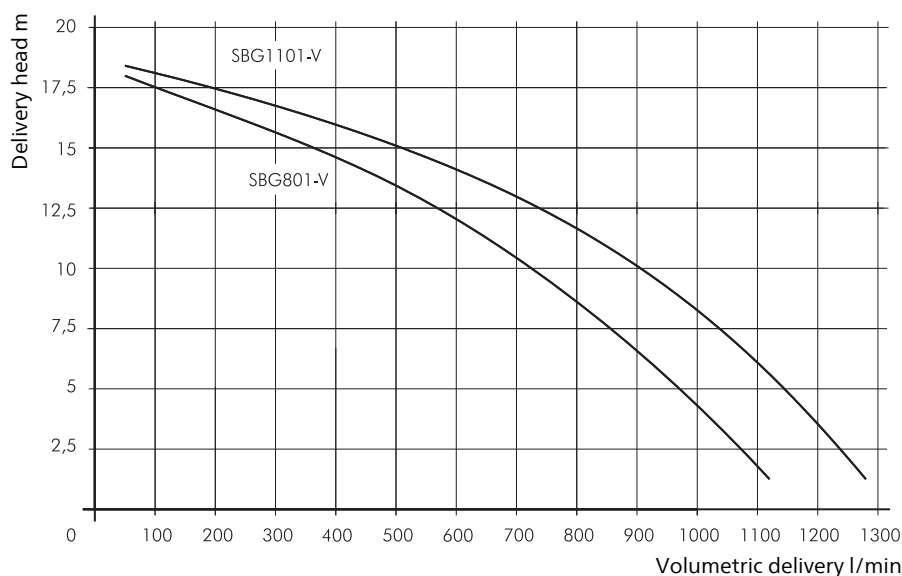
All types specified are also available as multistage pumps e.g. SBG802-V, SBG1103-V.

Applications

Types of fluid
 coolants
 cooling/cutting oils
 grinding oils
 Kinematic viscosity
 ...45 mm²/s (45 cSt)
 Pumping temperature
 0...80° C

Construction

Pump body	cast iron
Cover	cast iron
Impeller axial	cast steel
Impeller radial	cast steel
Shaft	steel
Mechanical seal	SiC
Noise level	
SBG801-V...SBG1101-V	72 dBA

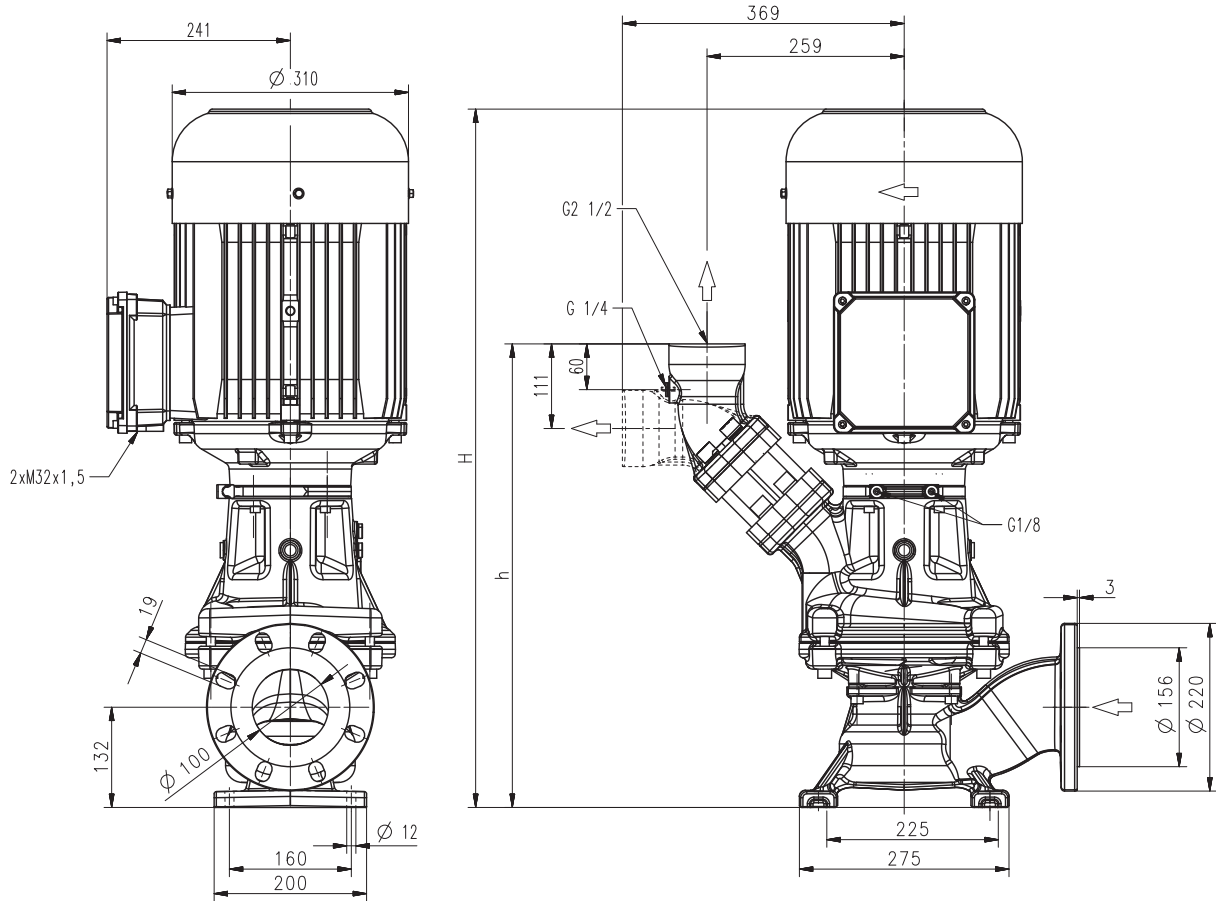


Vertical End Suction Pumps

SBG1700-V

Axial/semi-open impellers

SBG1700-V



Type	Vol. del. at manom. del. head l/min /m	Dimensions		Weight kg	Power kW	Voltage 3 ~ V	Fre- quen- cy Hz	Current A	Speed 1/min
		H mm	h mm						
SBG1700-V	1500/20	916	609	159	13.0	380-415	50	24.2	2960
					15.0	460	60	23.6	3560

Vertical End Suction Pumps

are centrifugal inline pumps with a compact design where the impeller is mounted onto the extended motor shaft. These pumps are not self-priming and must be gravity fed. All pumps are equipped with double mechanical seal. This pump series is designed for vertical installations next to a tank and for pumping **highly air entrained coolant and cutting oils**, as they occur in **high speed grinding applications**.

The SBG pumps are equipped with the user-friendly 45 degree **flange** connection which allows for either vertical or horizontal pipe connection and the connection of a pressure gauge with G 1/4.

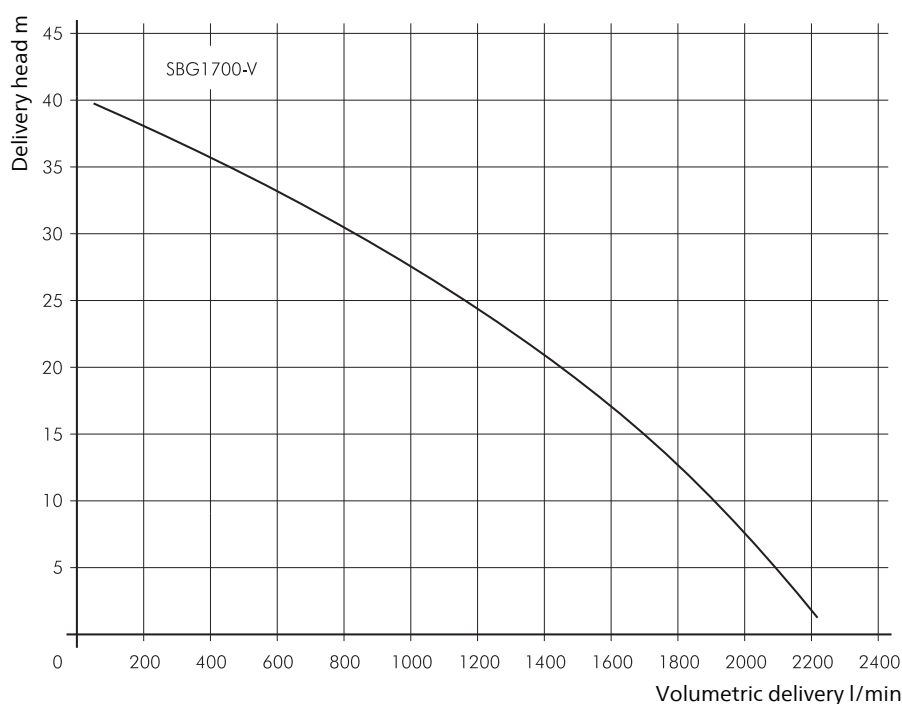
For more information see mechanical features within the technical information section.

Applications

Types of fluid
 coolants
 cooling/cutting oils
 grinding oils
 Kinematic viscosity
 ...45 mm²/s (45 cSt)
 Pumping temperature
 0...80° C

Construction

Pump body	cast iron
Cover	cast iron
Impeller axial	cast steel
Impeller radial	cast steel
Shaft	steel
Mechanical seal	SiC
Noise level SBG1700-V	74 dBA



Following V versions will be available from Q1/2020:

SBA401-V

SBA402-V

SBA403-V

SBA601-V

SBA602-V

SBA603-V

SBA604-V

SBF125-V

SBF550-V

The Brinkmann Pumps network – This is the way to find us.



BRINKMANN PUMPS has a global presence and direct representation throughout Europe, Asia and North America. This ensures quick response times, competent consulting personnel and the highest level of service, which Brinkmann Pumps is known for, anytime and anywhere. Visit our website – where you will find all the contact details for our representative offices. Visit us and convince yourself of our capabilities.

Welcome to BRINKMANN PUMPS.



BRINKMANN PUMPS

K.H. Brinkmann GmbH & Co. KG
Friedrichstraße 2
58791 Werdohl
Germany

Brinkmann Pumps Inc.
47060 Cartier Drive
Wixom, MI 48393
United States

Brinkmann Pumps Japan Co. Ltd.
2-19-12, Engyo Fujisawa
Kanagawa, 252-0805
Japan

T +49 2392 5006-0
F +49 2392 5006-180
sales@brinkmannpumps.de
www.brinkmannpumps.de

T +1 248 926 9400
F +1 248 926 9405
sales@brinkmannpumps.com
www.brinkmannpumps.com

T +81 466 778320
F +81 466 778321
sales@brinkmannpumps.jp
www.brinkmannpumps.jp